

www.kpcmci.com

Phone: 800-594-2205  
Or: 330-832-2232

Fax: 877-832-2622  
Or: 330-832-2272

Email: info@kpcmci.com



### SpaceSaver® 180

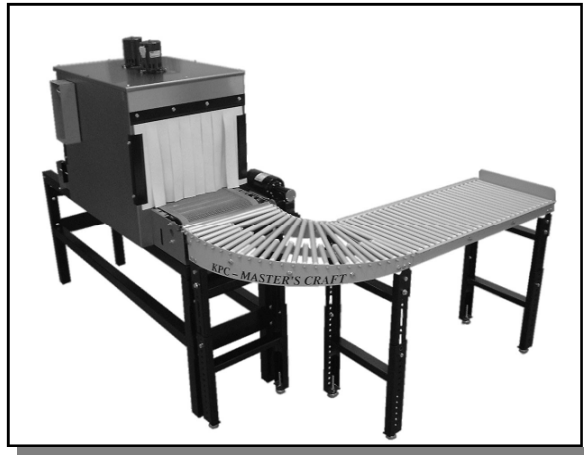
Pictured with optional straight section  
and KPC 143016 Shrink tunnel

POWERED

# RETURN CONVEYORS

KPC MASTER'S CRAFT INTERNATIONAL, INC

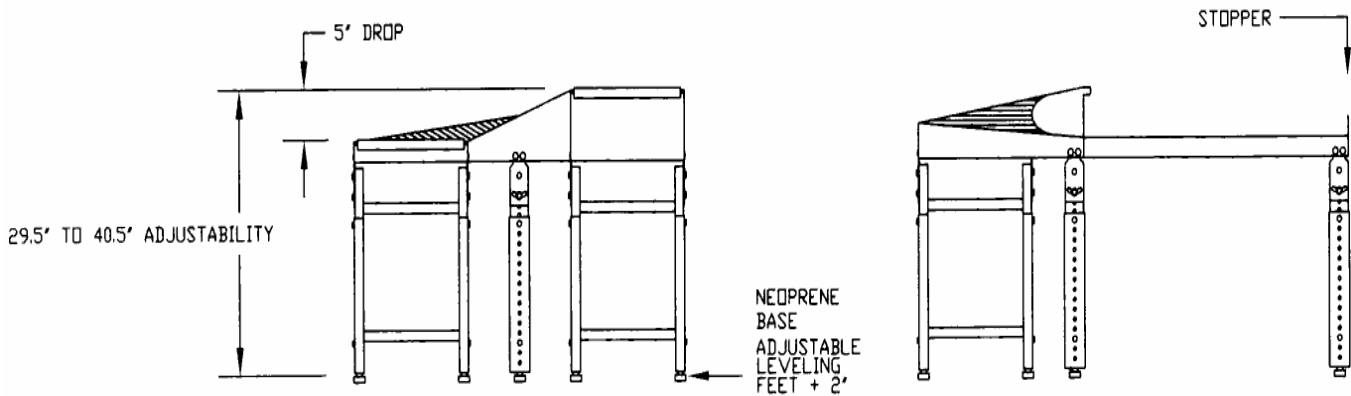
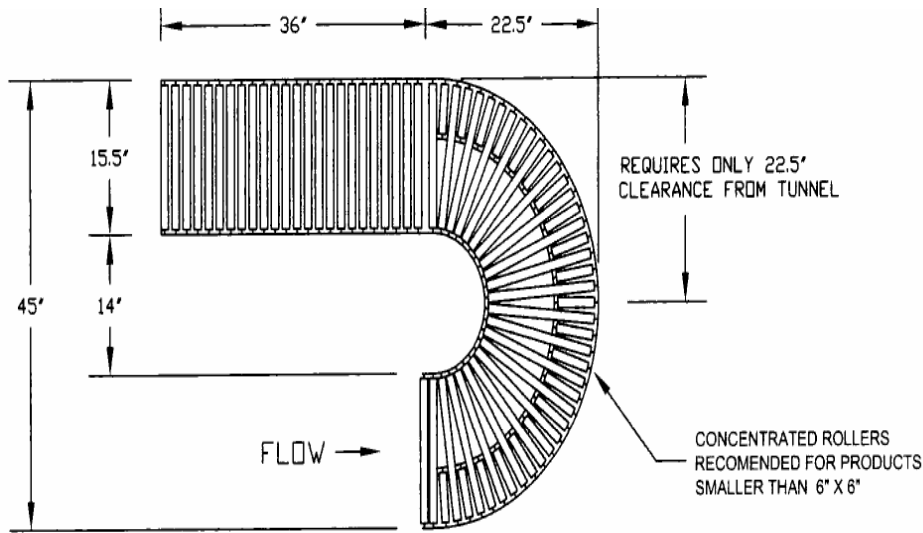
- ⇒ Used for product return and accumulation
- ⇒ Saves space and labor by automatically returning item to the operator
- ⇒ Specially designed for light or small objects
- ⇒ 110v variable speed drive
- ⇒ Runs up to 60 fpm



### SpaceSaver® 90

Pictured with optional straight section  
and KPC 143016 Shrink tunnel

Solutions Tailored to Fit Your Shrink Packaging Needs™



- ⇒ Quality construction
- ⇒ Compact design stands within 22.5" of machine
- ⇒ Will convey products as small as 3" x 3"\*\*\*
- ⇒ Minimizes accumulation damage
- ⇒ Ideal for high speed lines
- ⇒ Works with most shrink packaging equipment or accumulation systems
- ⇒ Telescoping legs adjust from 29.5" - 40.5"

\*\*\*Concentrated rollers recommended for products smaller than 6" x 6"