

www.kpcmci.com

Phone: 800-594-2205
Or: 330-832-2232

Fax: 877-832-2622
Or: 330-832-2272

Email: info@kpcmci.com



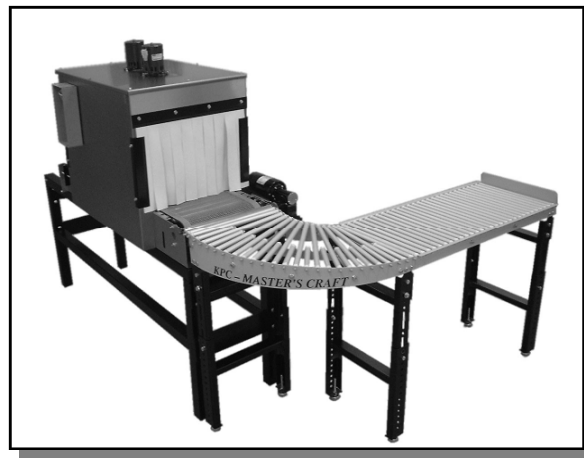
SpaceSaver® 180

*Pictured with optional three foot straight section
and KPC 143016 Shrink tunnel

GRAVITY RETURN CONVEYORS

KPC MASTER'S CRAFT INTERNATIONAL, INC

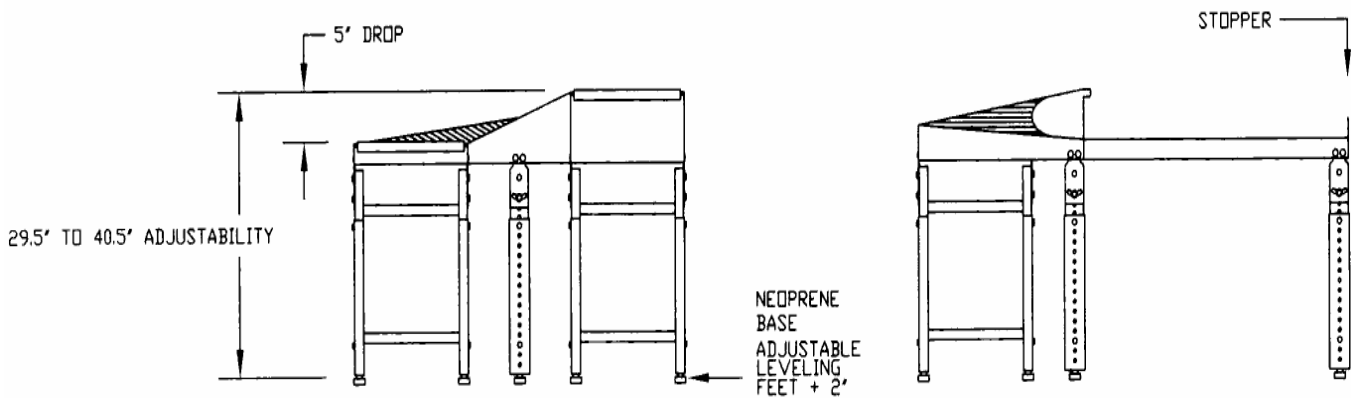
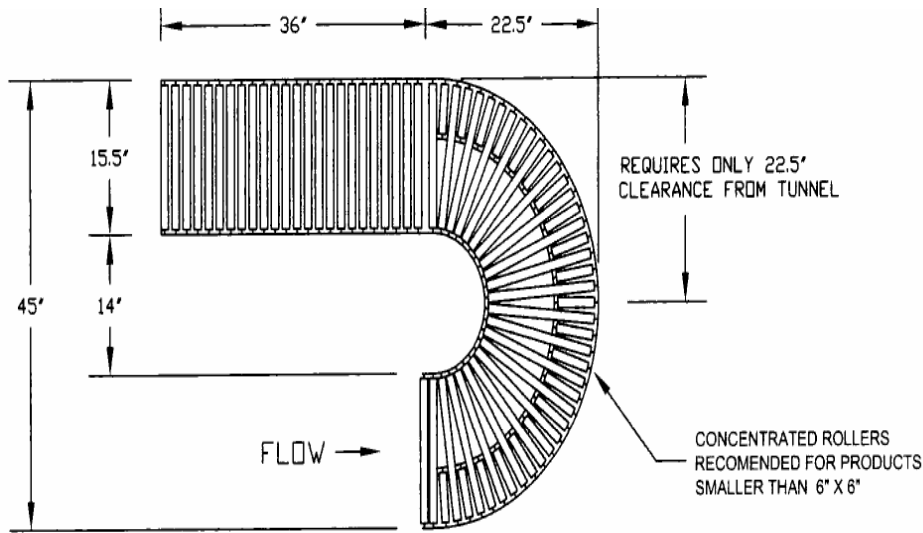
- ⇒ Used for product return and accumulation
- ⇒ Saves space and labor by automatically returning item to the operator
- ⇒ Specially designed for light or small objects
- ⇒ Precision and Heavy Duty models available



SpaceSaver® 90

*Pictured with optional three foot straight section
and KPC 143016 Shrink tunnel

Solutions Tailored to Fit Your Shrink Packaging Needs™



*Shown with optional three foot straight section

- ⇒ Quality construction
- ⇒ Compact design
- ⇒ Will convey products as small as 3" x 3" **
- ⇒ Works with most shrink packaging equipment or accumulation systems
- ⇒ Also available as powered conveyors
- ⇒ Left to Right curve available
- ⇒ Telescoping legs adjust from 29.5" - 40.5"

**Concentrated rollers recommended for products smaller than 6" x 6"