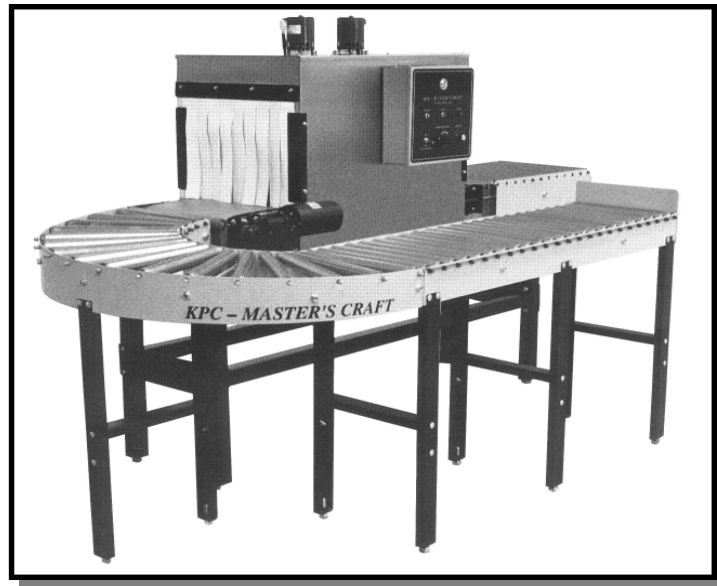


www.kpcmci.com

Phone: 800-594-2205
Or: 330-832-2232

Fax: 877-832-2622
Or: 330-832-2272

Email: info@kpcmci.com



*Pictured with optional SpaceSaver® 180 degree conveyor, and 4ft straight conveyor

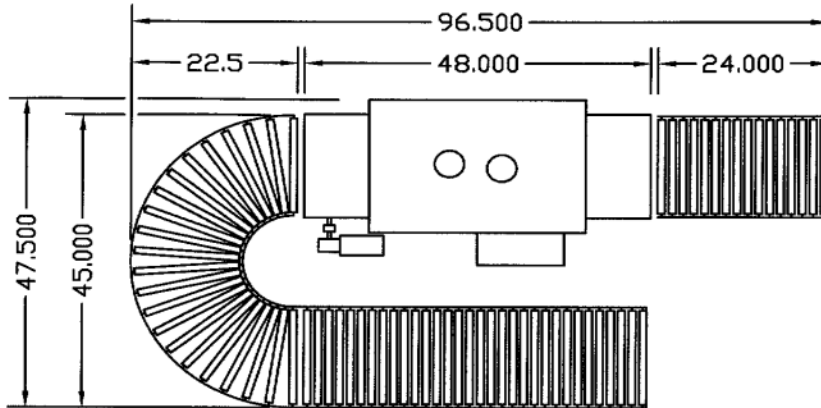
CoreWrap® Shrink Wrap System

KPC MASTER'S CRAFT INTERNATIONAL, INC

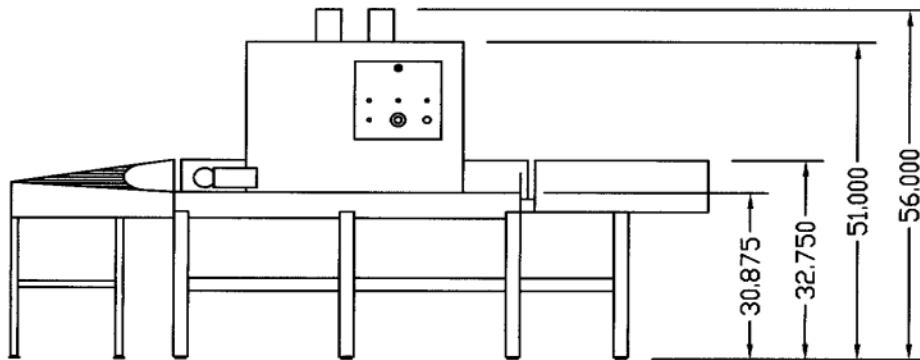
- ⇒ Entire system is designed for shrink wrapping large heavy items
- ⇒ Designed to continually operate at high temperatures (550° F) to facilitate the shrinking of heavy gauge polyethylene film
- ⇒ A low cost solution to large and expensive bundle wrapping equipment
- ⇒ Heavy duty conveying system has 60 lbs/ft capability
- ⇒ High density ceramic insulation

We think outside the box to protect what's inside your box®

TOP VIEW



SIDE VIEW



All dimensions in inches

*Shown with optional SpaceSaver® 180 degree conveyor, and 4 ft straight conveyor

- ⇒ 220/240 V - 1 phase
- ⇒ Teflon coated conveyor belt
- ⇒ Stainless steel construction
- ⇒ High-temp limit switch prevents overheating
- ⇒ Low space requirements
 - Foot print=32 sq ft
- ⇒ Tunnel chamber dimensions: 16" wide, 14" high, 30" long
- ⇒ Three year limited parts warranty